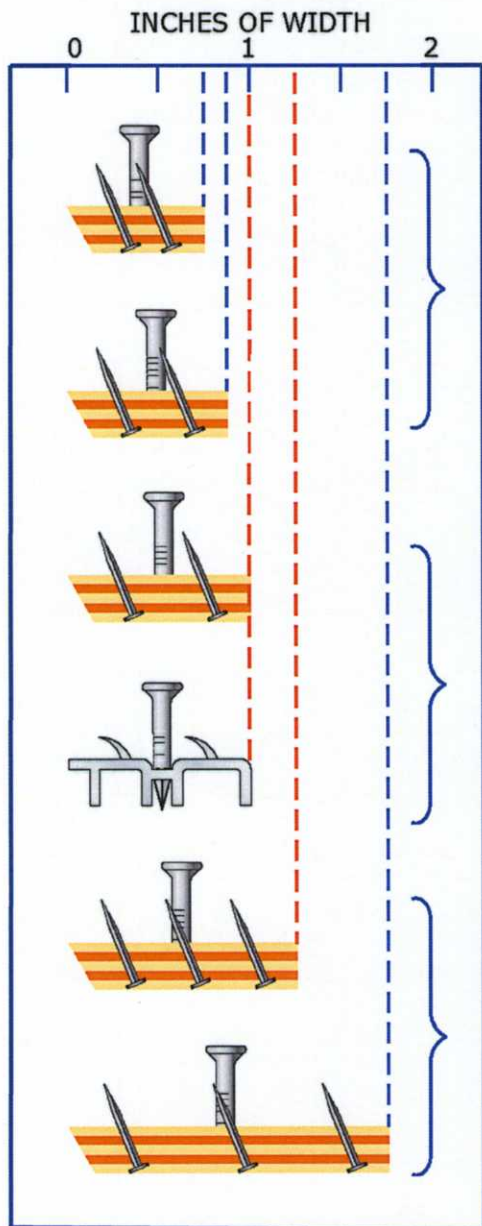


TYPES AND WIDTHS OF CARPET TACK STRIP AVAILABLE



**NARROW WIDTH
PLYWOOD**

Tack strip less than one inch (standard width) is not recommended for stretch-in carpet installations.

Plywood tack strip widths do vary and the narrower widths cause additional problems for installers. Pre-nails and pins get closer to the wall as the width narrows.

**ONE INCH OR
STANDARD WIDTH
PLYWOOD**

It is recommended to use one inch wide (standard width) tack strip for all carpet installations less than 30 ft. long.

Pre-nails and front and back row of pins are moved farther from the wall for easier nail setting, extra strength and easier carpet hooking.

**ONE INCH OR
STANDARD WIDTH
ALUMINUM**

Aluminum carpet strip is recommended for carpet installations where water or termites may cause damage to plywood tack strips.

Will not rust, rot or be eaten by insects.

**TRI-TACK OR
COMMERCIAL
(ARCHITECTURAL)
PLYWOOD**

Its is recommended to use tack strip with 3 rows of pins and at least 1 1/4 inches wide for carpet installations over 30 ft. long.

Extra pins provide more strength. Wider plywood provides stronger platform for power stretching.